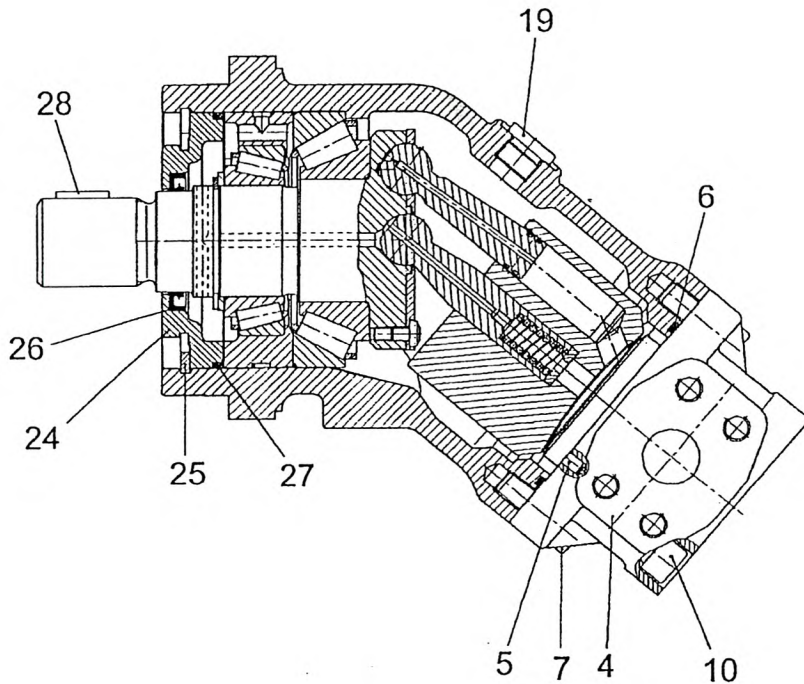


AXIAL PISTON MOTOR
 AXIALKOLBENMOTOR
 MOTEUR A PISTON AX

997-070-06312

Figure
 Bild 7006312
 Figure

0605-04



Item Pos. Réf	Part No. Teil-Nr. Pièce No	Designation Benennung Désignation	all alle tous	Qty/assy Stck/Variante Pièce/ensemble								Figure Bild Figure
				A	B	C	D	E	F	G	H	
1	997-070-06312	AXIAL PISTON MOTOR AXIALKOLBENMOTOR MOTEUR A PISTON AX	1									
4	997-073-08431	CONNECTION PLATE ANSCHLUSZPLATTE PLAQUE CONNECTION	1									
5	997-000-13882	PIN 4X10 ZYL-STIFT GOUPILLE CYLINDRE	1									
6	997-073-07813	O-RING 66,27X3,53 O-RING JOINT TORIQUE	1									
7	997-007-66871	SOCKET HEAD SCREW M8X20 ZYL-SCHRAUBE VIS A TETE CYL	2									
10	997-009-33517	SOCKET HEAD SCREW M8X50 ZYL-SCHRAUBE VIS A TETE CYL	4									
19	997-073-08432	THREADED PLUG M16X1,5 VERSCHLUSZSCHRAUBE BOUCHON FILETE	1									
24	997-073-07814	RING RING BAGUE	1									
25	997-000-12525	RETAINING RING 80X2,5 SICHERUNGSRING CIRCLIP	1									
26	997-073-07815	SHAFT SEAL WELLENDICHTRING JOINT DE ARBRE	1									
27	997-073-07816	O-RING 75,87X2,62 O-RING JOINT TORIQUE	1									
28	997-000-10793	SHAFT KEY 8X7X40 PASZFEDER CLAVETTE AJUSTEE	1									